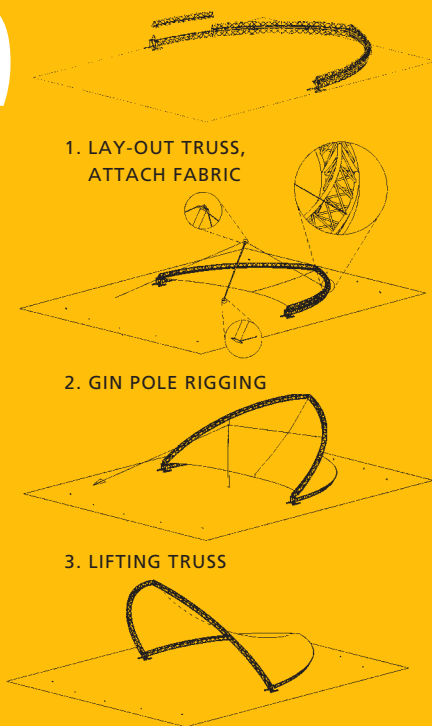


tentnology

Saddle Span Assembly

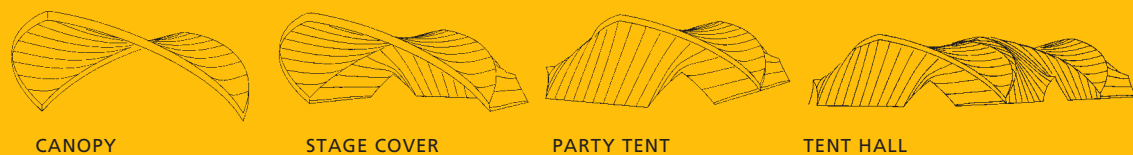


NOTE: Correct anchorage is vital. This is only an installation overview. See manual for detailed procedures. Climate, exposure conditions and local building codes govern installation of structures.

Tent Sizes

MODEL	LENGTH	WIDTH	PEAK HEIGHT	WEIGHT	TOTAL USEABLE AREA
S-5000	92 ft 28.0 m	60 ft 18.3 m	24 ft 7.3 m	2500 lb 1135 kg	5000 sq ft 465 sq m
S-2000	79.6 ft 24.3 m	40 ft 12.1 m	16.5 ft 5.0 m	1400 lb 635.6 kg	2500 sq ft 232 sq m

Specifications are subject to change without notice.



Quality Assurance

The Quality System to which Tentnology products are produced complies with the ISO 9002:1994 Quality Assurance Standard. ISO is the governing body for internationally recognized quality assurance standards.

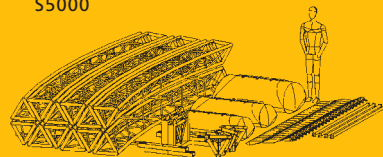
Product Specifications

ENGINEERING: A full engineering report is available to professional engineers.

WARRANTY: One year on parts and workmanship to original owner.

Complete Tent Package

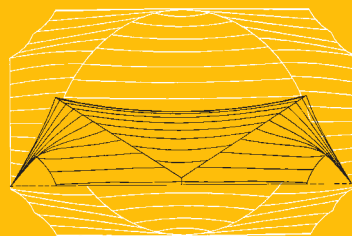
\$5000



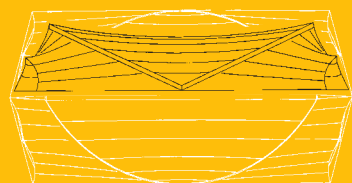
FRAME: Aircraft aluminum alloy welded truss with riveted heat-treated tenon couplings for high strength and long life.

Drop-forged steel eye bolts connect frame together and fasten guy cables to save assembly time and provide security.

FABRIC: The standard top and end fabric is opaque white 17 oz. polyester-reinforced vinyl, treated to resist mildew, ultra-violet degradation and abrasion, certified by the Californian State Fire Marshall and exceeding requirements for NFPA 701, UL 214, ULC S-109, and M2. Magnum zippers for safe and reliable doorways.



S5000



S2000

Need more? Ask us for a product video, technical specifications, price list or customized proposal.

www.tentnology.com
1 800 663 • 8858

Tentnology® Co.
15427-66th Avenue
Surrey, BC
Canada V3S 2A1

Tel: 604 597-8368
Fax: 604 597-8749
tent@tentnology.com

Order Line
Canada & USA: 1 800 663-8858
International: + 800 627-78337

Tentnology® Co.

saddle span



Span your horizon

The Saddle Span brings you affordable innovation. State-of-the-art fabric structure design and technology that is very user friendly. Winner of the Outstanding Achievement Award for Tent Rental Manufacturing from the Industrial Fabrics Association International, the Saddle Span is five tents in one.





"El 'Quarda-Span' es magnifico por los eventos speciales!"

Jose Manuel Bascope, NetPort, Santiago, Chile



Connect Saddle Spans together for even larger **free span space**. Interesting curves and flow of the fabric and truss give this structure **dynamic impact**.

Stage Cover

"...the Tentnology® Saddle Span is Vancouver Symphony Orchestra's preferred tent for their mainstage concert..."

Garin Capewell, Stellar Productions

take the show on the road

With one end for a back wall, the Saddle Span is a portable band shell and stage cover. **Excellent acoustics** and great sight lines make the Saddle Span an **audience**

favourite. For fast and frequent installations the aluminum truss Saddle Span is **simply unequalled**. No extra set up equipment such as fork lifts or cranes are required.



Party Tent Affordable function space. With no close vertical "ribs" to erect, **Saddle Spans cost less** to purchase and operate than Euro-tent halls, with **no pole-tent obstructions**.



super sun shade

Take both ends off and we present a roof that seems **suspended in the air**. Very stable in high winds, this version of the Saddle Span **stops traffic** and gets all the attention. **Great for promotions** and special events.

versatile, durable, user friendly



performance tent

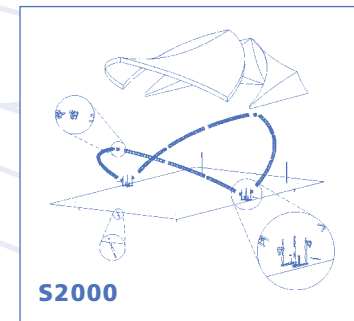
The Saddle Span's high sweeping end walls make room for **optimum bleacher seating** and maximum audience. Black out fabric is an option.



Tentnology®

Our proprietary Tentnology® computer program uses **elegant mathematics** and natural physical laws to sculpt and pattern optimum fabric covers. Tentnology® then models wind and snow loads for anchor and frame stress, supplementing **rigorous field testing** to produce

a tent you can be confident achieves the **highest performance standards**.



now even faster and easier!

Innovations such as an aluminum truss has **cut the weight** of a Saddle Span by half, making the old steel version obsolete. Shipping and handling are now more efficient and cost effective, while the **space age** aluminum truss looks avant garde, sophisticated, and high tech.

A three-pin system connects curved truss sections for **faster assembly** with fewer parts.

Convenient Installation Fabric attachment is **quick and accurate**. No more lacing and worrisome adjustments

with our **new snap-on system** using carabineer alpine gear.

S2000 = 3 men, 2 hours
S5000 = 4 men, 3 hours

Tentnology® provides thorough instructions and maintenance documents.



"...a great deal of our success is due to the dynamics of Tentnology's® Saddle Span tent..."

Christopher Gaze, Bard on the Beach Theatre Company



expandable

"...[the tent] was an incredible place that made the conference... amazing space..."

Professor Tufaro, University of British Columbia